

HINGES AND PIVOTS

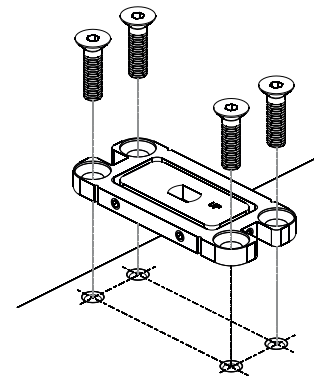
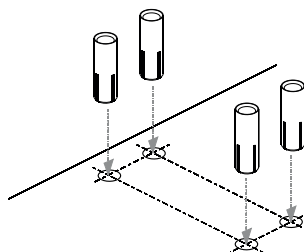
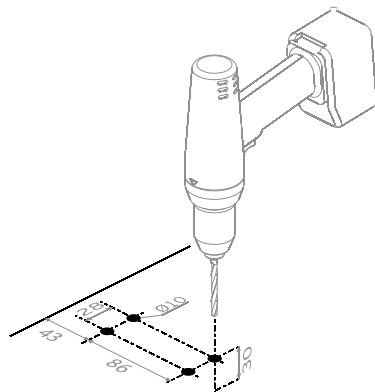
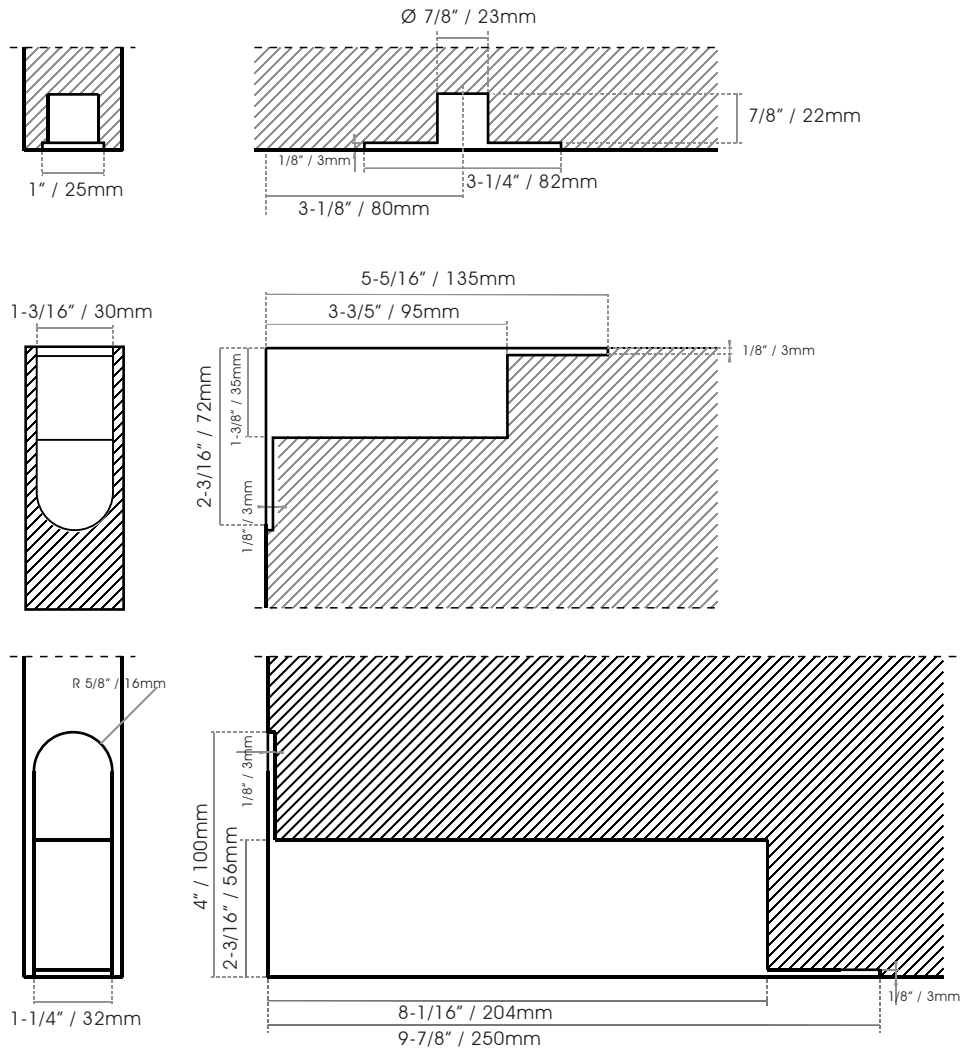
HYDRAULIC PIVOT W/ SOFT-STOP HEAVY DUTY
MAX. 220LB STAINLESS STEEL

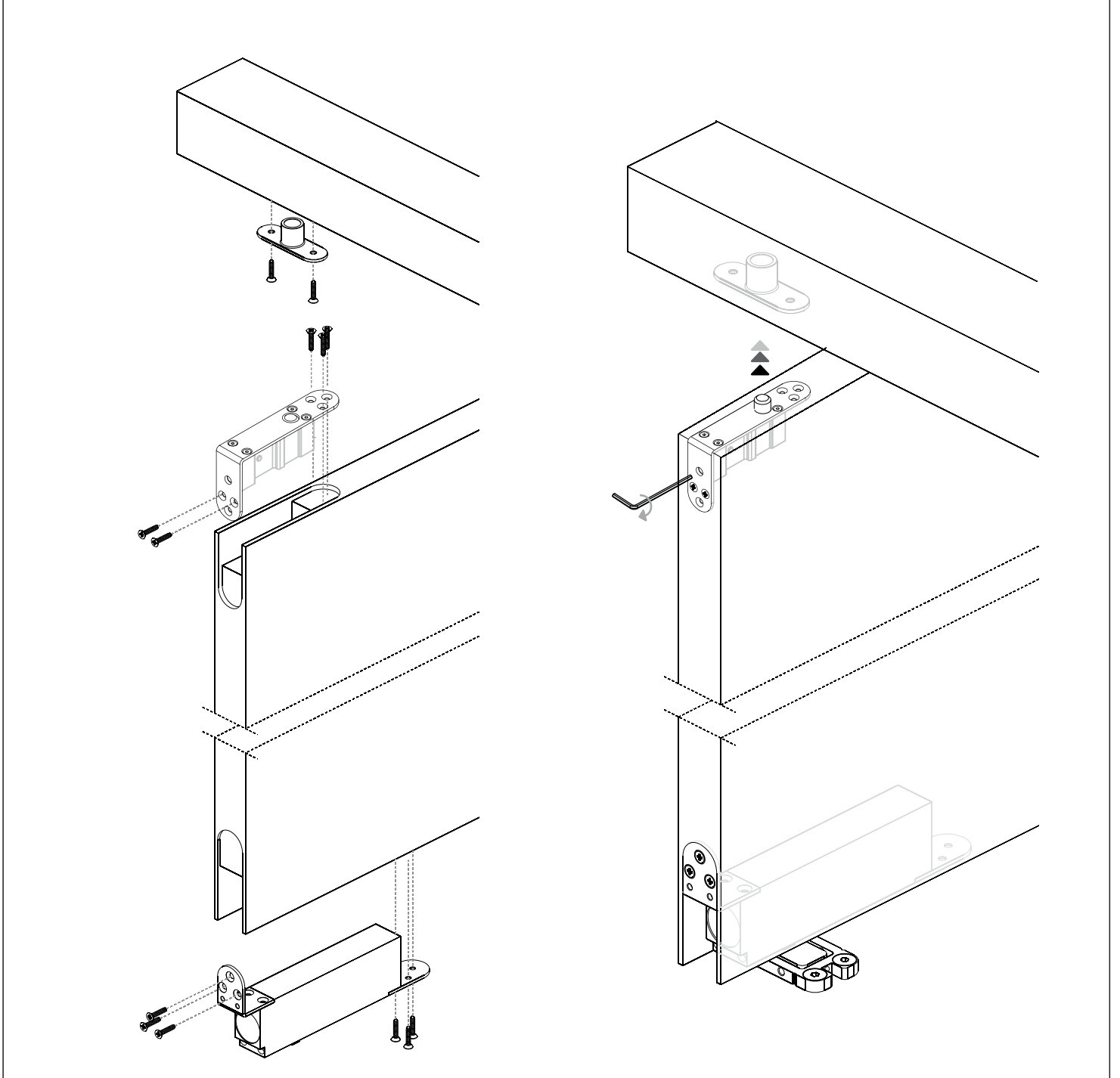
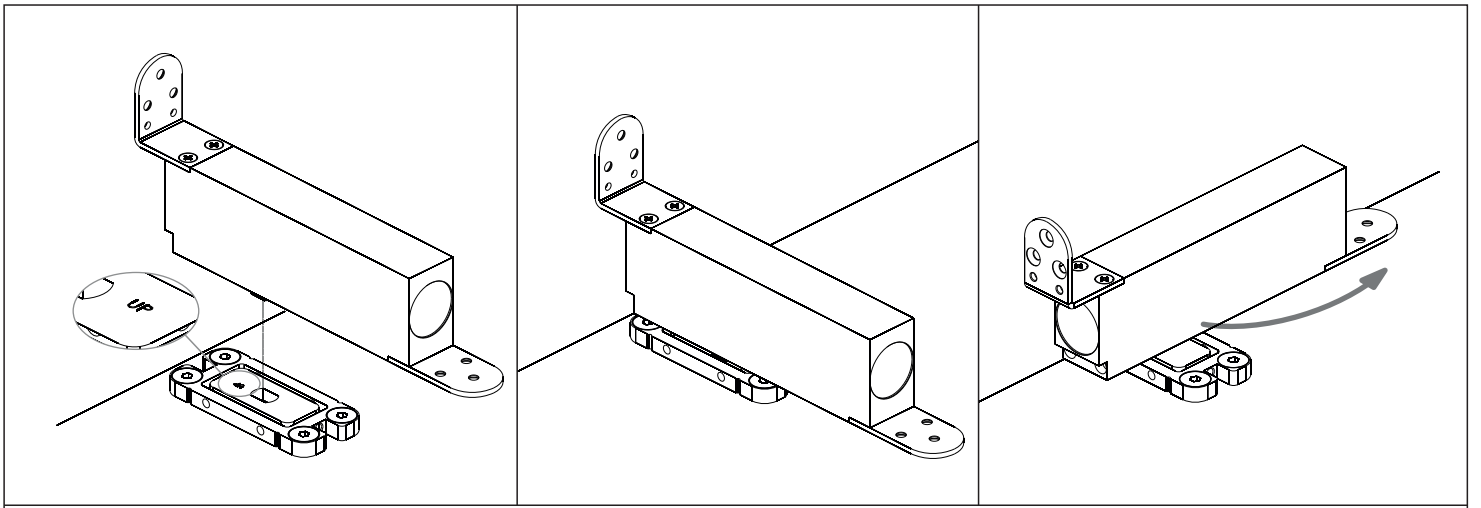


COD. JK05204

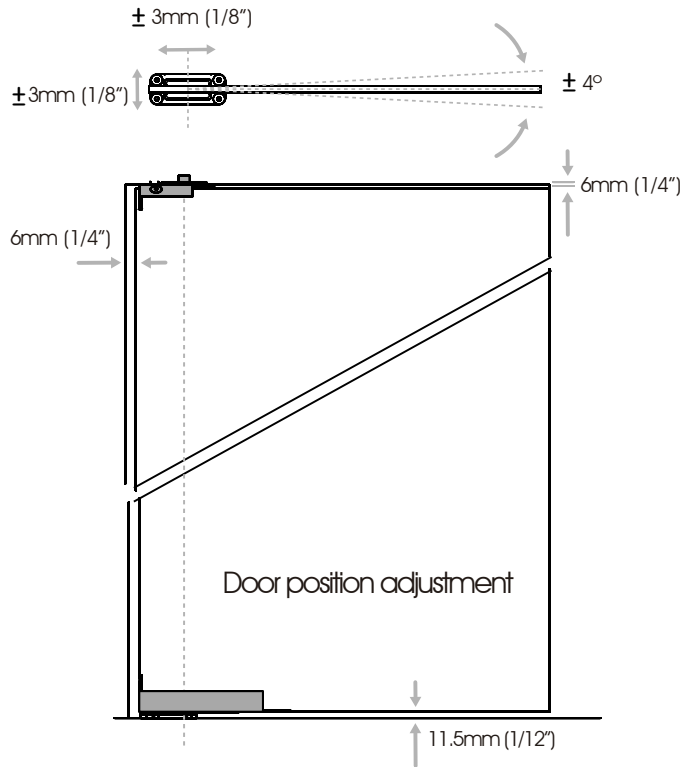
Guide installation

Door cut:





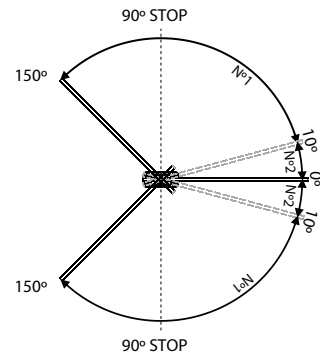
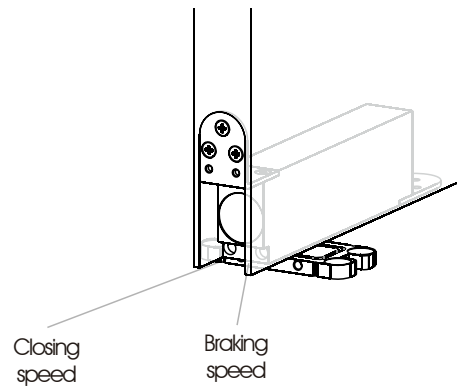
ADJUSTMENT



Speed adjustment valve



Fast Slow



Adjust the door's alignment on base.
Check and lock the six adjusting screws, to guarantee
the good positioning and its function /

