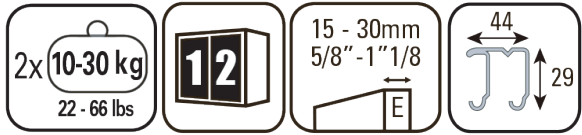


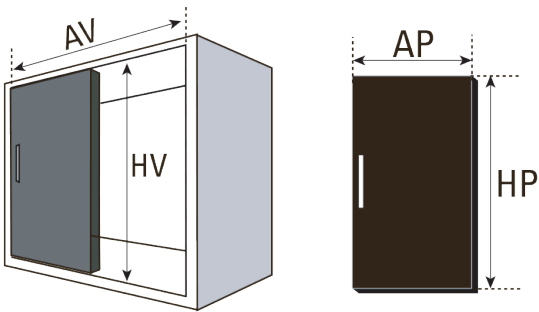
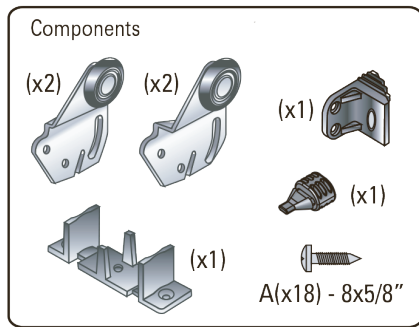
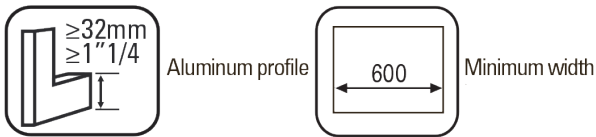
SLIDING SYSTEM FOR CLOSET



Cod. DUCLOSET SIMPLE Installation guide



Max. Door weight Two doors Wood Thickness Carrier track U-20



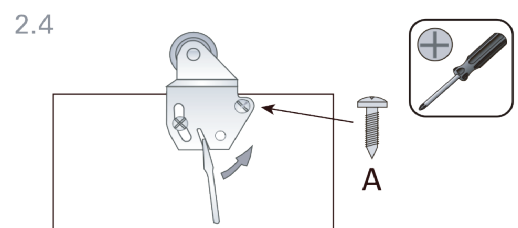
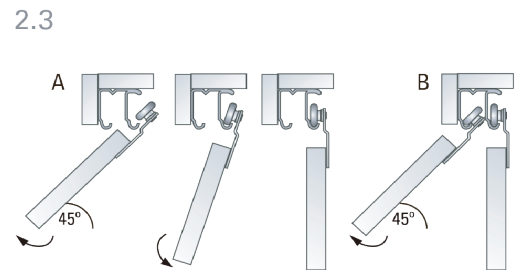
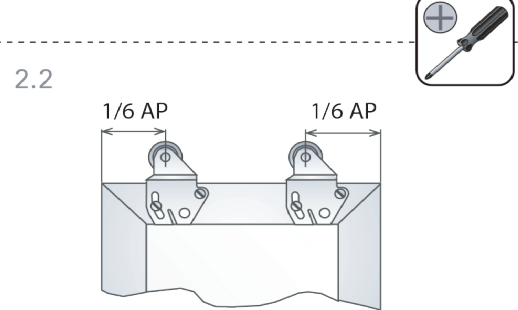
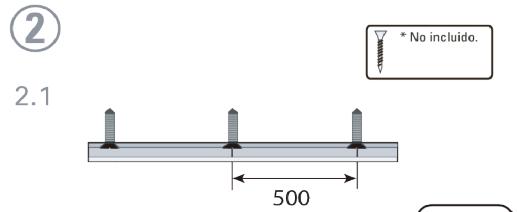
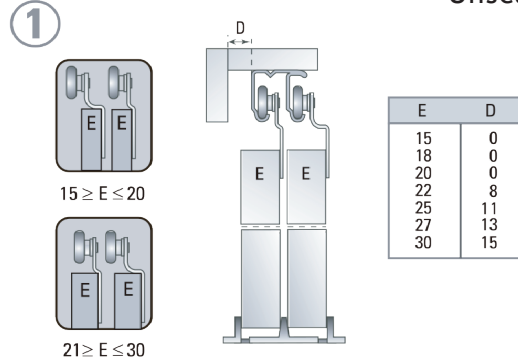
$$AP = AV/2 + 15$$

$$HP = HV - 48$$

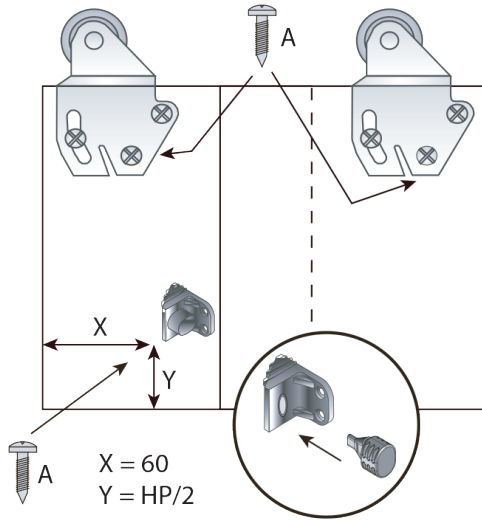
mm	Decimal inches	Aprox Fraction	mm	Decimal inches	Aprox Fraction
1	0.0394	3/64	6	0.2362	15/64
2	0.0787	5/64	7	0.2756	9/32
3	0.1181	1/8	8	0.3150	5/16
4	0.1575	5/32	9	0.3543	23/64
5	0.1969	13/64	10	0.3937	25/64

All measurements in millimeters.

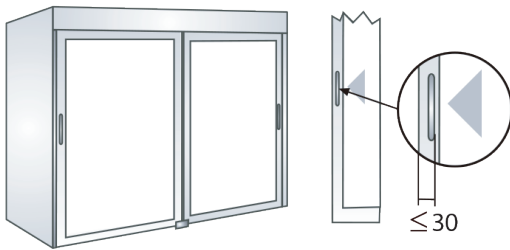
Unscaled format



2.5

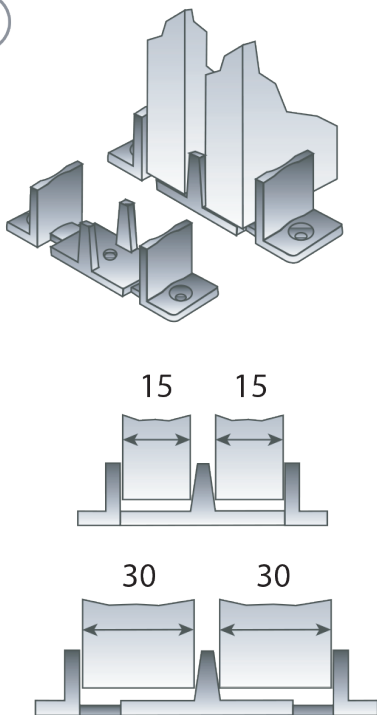


2.6



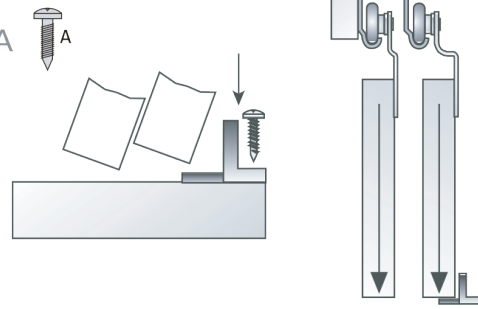
3

3.1

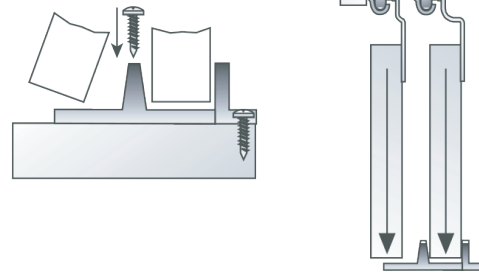


3.2

3 A



3 B



3 C

