

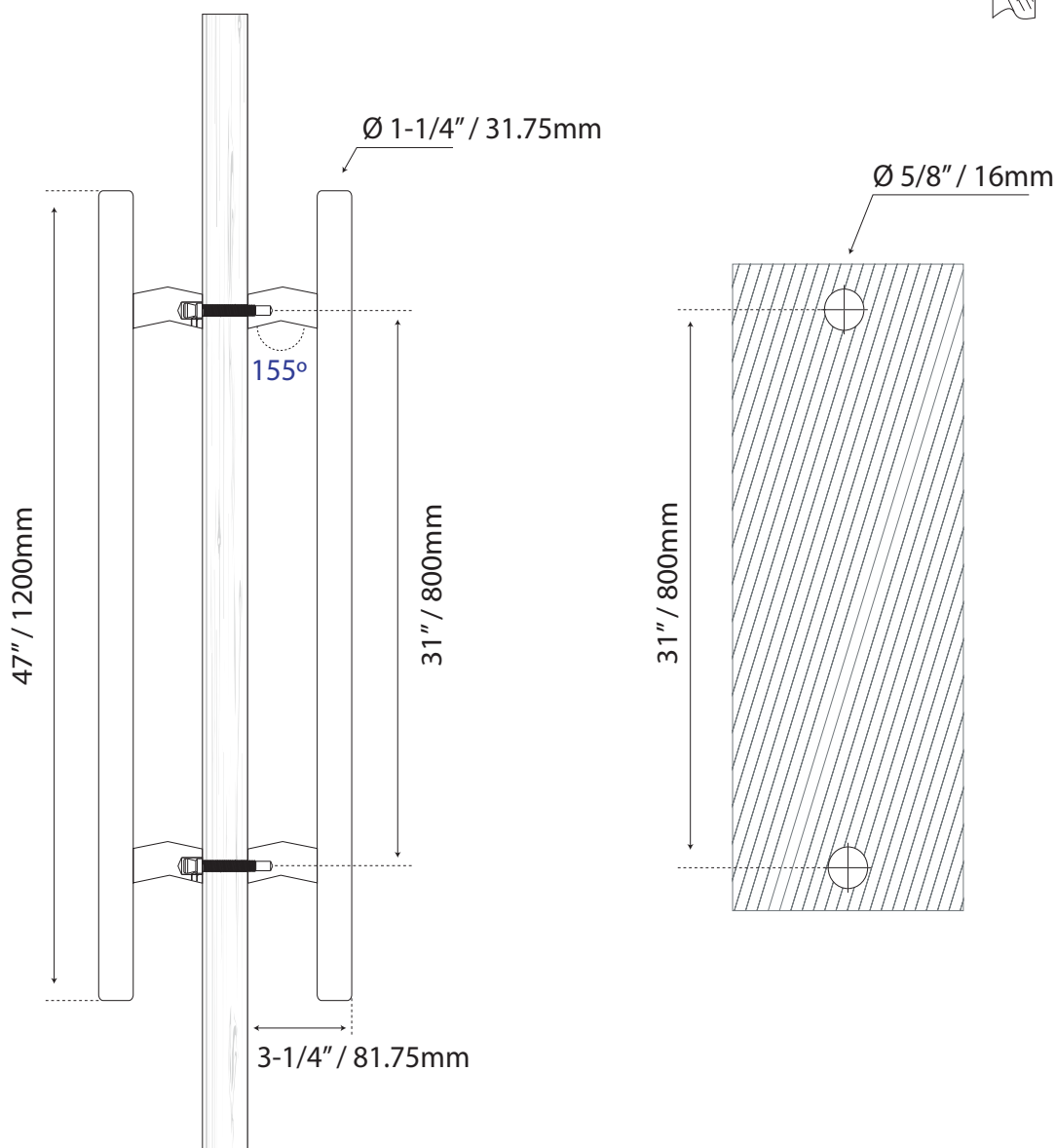
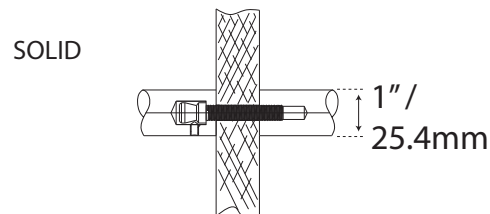
LADDER PULL HANDLES

OFFSET LADDER PULL HANDLE BACK-TO-BACK



Cod.CHCP042-800SSS

Cutting guide



Unscaled format