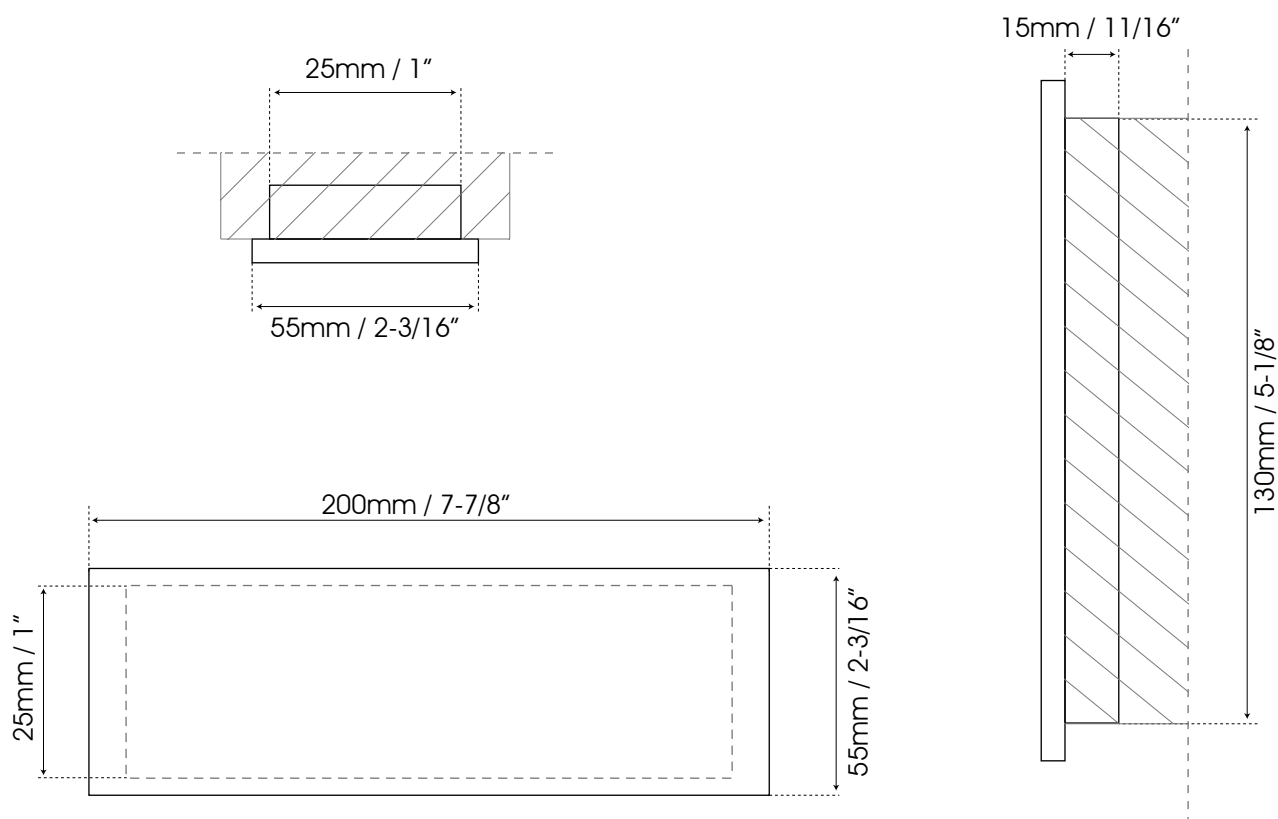




# FLUSH PULL

Cutting guide  
J903-200CSS

Unscalable format



Apply polyurethane adhesive