

CONCEALED HINGE

SOFT CLOSING HINGE FOR GLASS



Cod.C80A689

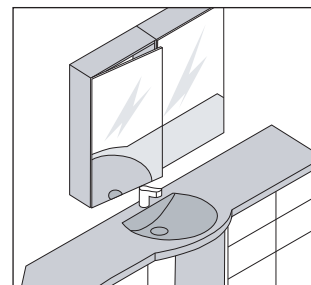
Installation guide

Product



Description

- Soft stop system
- Opening degree: 125°
- Adapatable to: full overlat, half overlay and inset
- Adhesion distance: 0-5/8"
- Glass thickness: 1/8" / 1/4"
- Base: Clip-on
- For use on cabinet glass doors



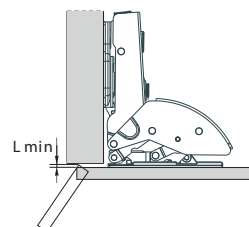
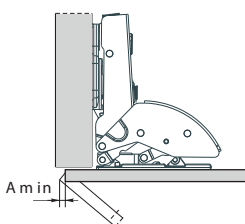
Space needed to open the door

	T=	3	4	5	6
K=1.5	A=	13.6	14.4	15.2	16.1
K=3.0	A=	11.2	12.1	12.9	13.8
K=4.5	A=	8.9	9.8	10.7	11.6
K=6.0	A=	6.8	7.7	8.6	9.5
K=7.5	A=	4.2	5.0	5.8	6.6
K=8.0	A=	2.8	3.8	4.8	5.8
K=16.5	A=	0	0	0.3	0.8

- T=Door thickness
- K=Cup hole drilling distance from door edge

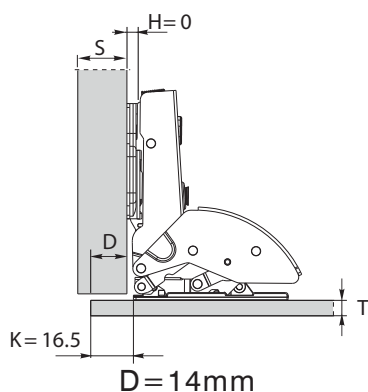
	T=	3	4	5	6
K=1.5	L=	0	0	0	0
K=3.0	L=	0	0	0	0
K=3.5	L=	0	0	0	0
~	~	~	~	~	~
K=16.5	L=	0	0	0	0

- The above values are calculated on the assumption that the doors have square edge.
- They are reduced if the doors have radiussed edges.

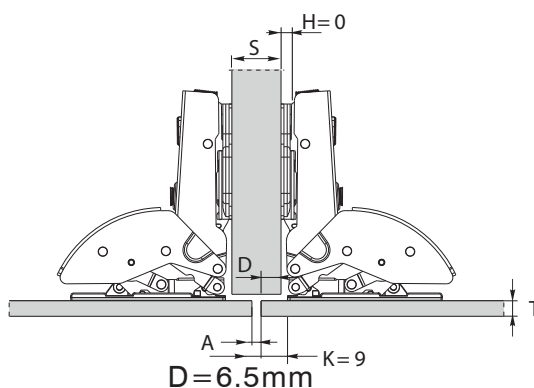


Aplications

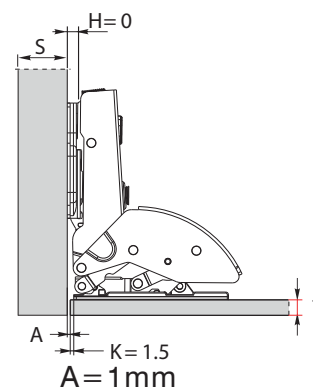
Full overlay C=0



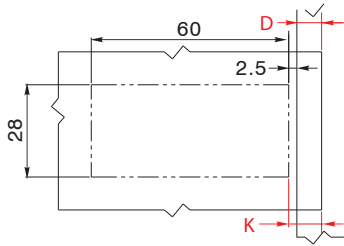
Half overlay C=7.5



Inset C=15

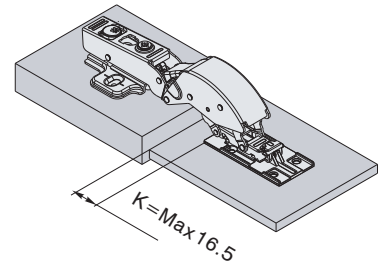


Adhesion distance



Use these formulas to determine the type of hinge arm, the drilling distance "K" and the height of the mounting plate "H" which is necessary to solve each application problem.

$$K(\min 0, \max 16.5) = D + 2.5$$



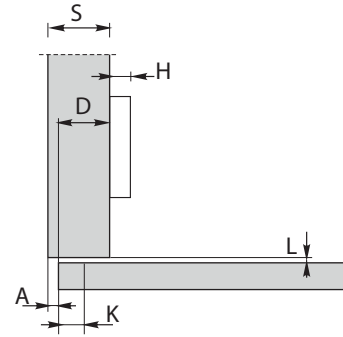
Soft closing hinge for glass 125°

Full overlay C=0

Cod. C80A689



$$H = -2.5 + K - (D)$$

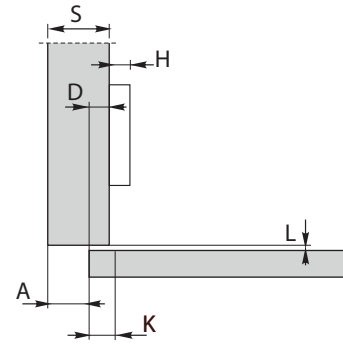


Half overlay C=7.5

Cod. C80A689



$$H = -2.5 + K - (D)$$



Inset C=15

Cod. C80A689



$$H = -2.5 + K + (A)$$

